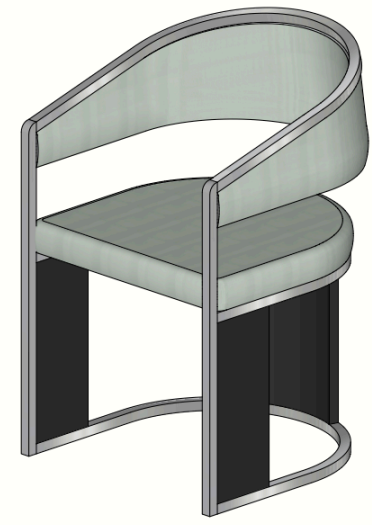
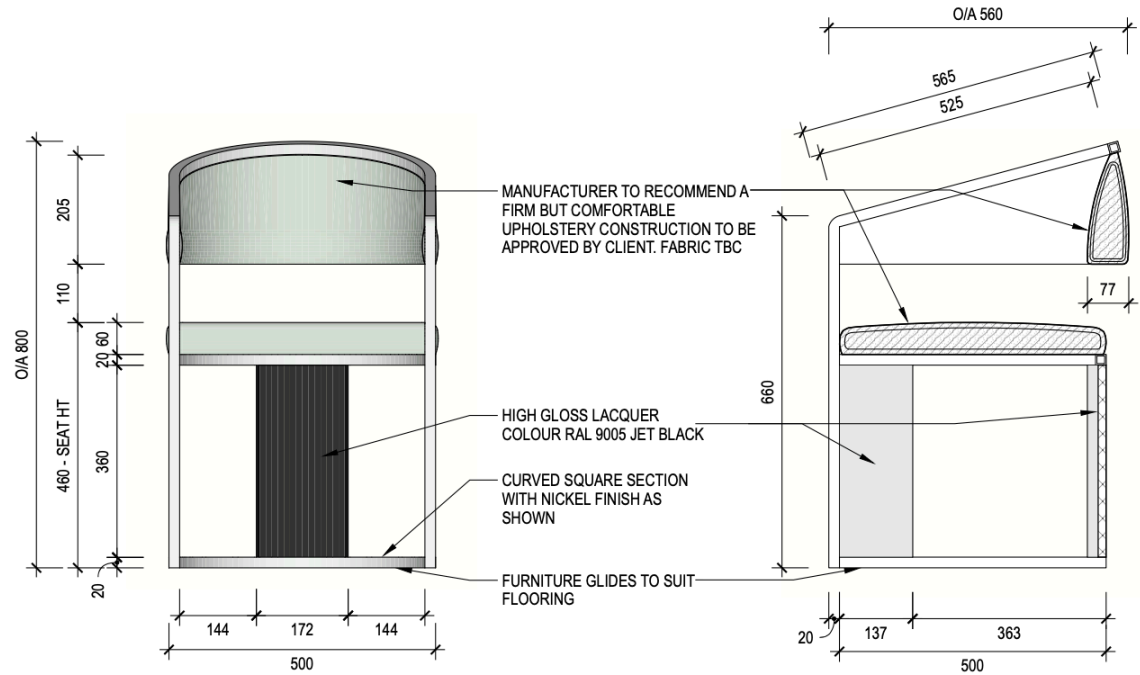


1 **Plan**
Scale 1:10

2 **Plan - Base**
Scale 1:10

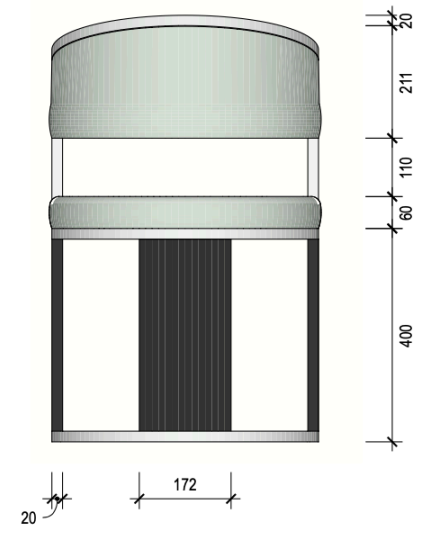


- **Perspective**
Scale NTS



3 **Front Elevation**
Scale 1:10

4 **Section**
Scale 1:10



5 **Rear Elevation**
Scale 1:10